

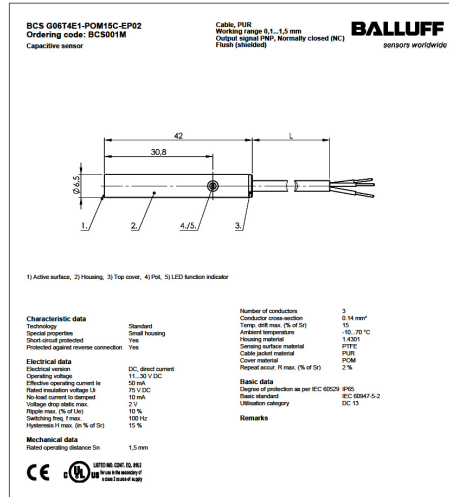
Proximity Sensors

Proximity sensors are used to shut equipment down if the BFM® connector is removed from the spigot. The choice of which sensor is used is largely dependent on the type of equipment control system involved.

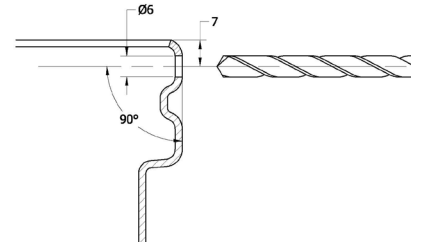
BFM® recommends sensors from Balluff.

There are a number of options, please visit the Balluff website for a comprehensive catalogue and a local contact www.balluff.com.

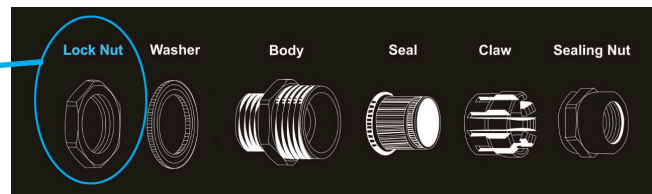
We have tested the Balluff 6.5mm diameter Normally Closed (NC), Flush Mounted and Shielded Capacitive Sensors.



These sensors are mounted on the **centre of the top ring** on the BFM® spigot, as shown below.



We advise using a food-grade electrical or cable gland (Hummel gland) which can be welded directly onto the outside of the spigot. The lock nut is welded to the outside of the top ring of the spigot so that the sensor face sits flush with the internal edge of the spigot.



As an added safety feature, use our TR (Tool Release) connectors.

We recommend the TR hole is drilled approximately 20 - 30mm from the sensor. This ensures the sensor shut-off will be activated immediately the TR tool is inserted.

